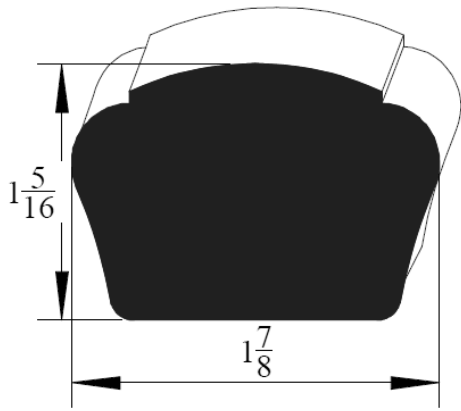
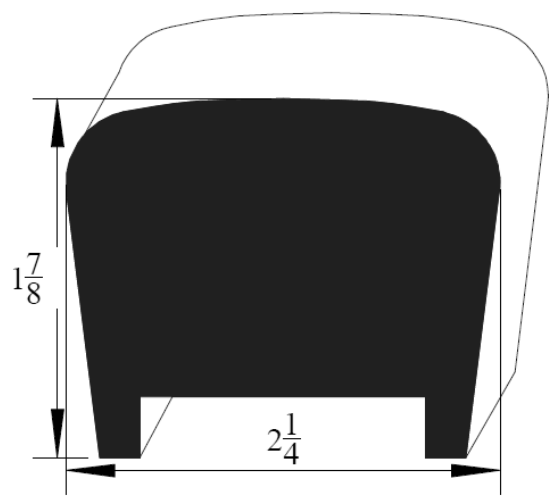


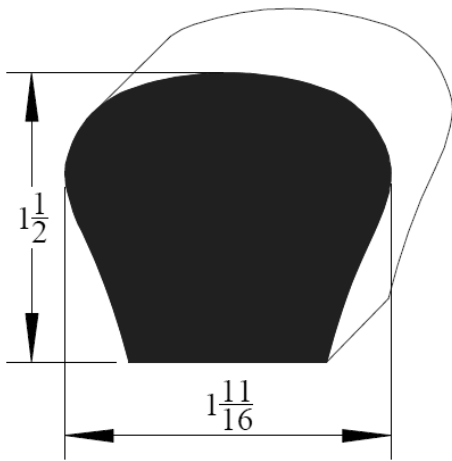
Rail-01



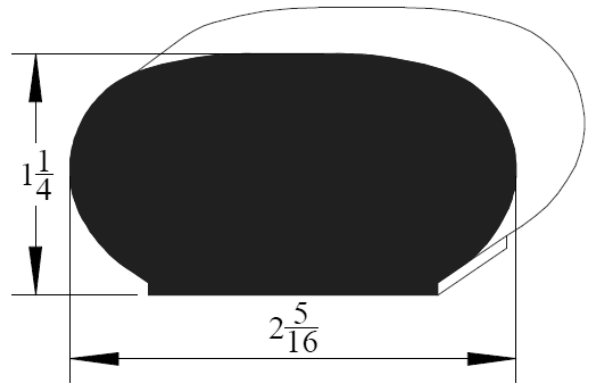
Rail-02



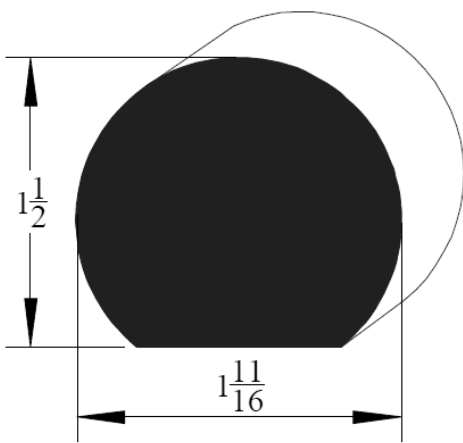
Rail-03



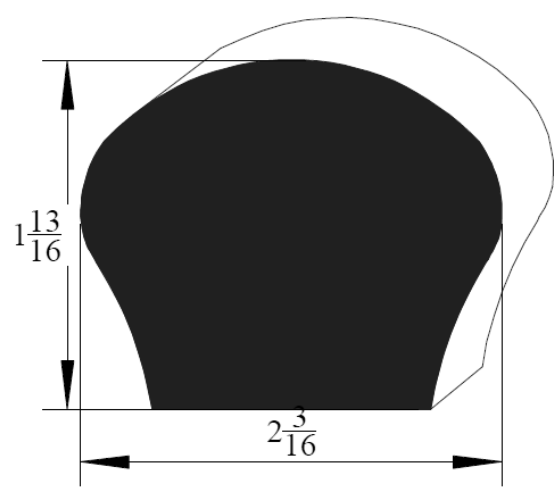
Rail-04



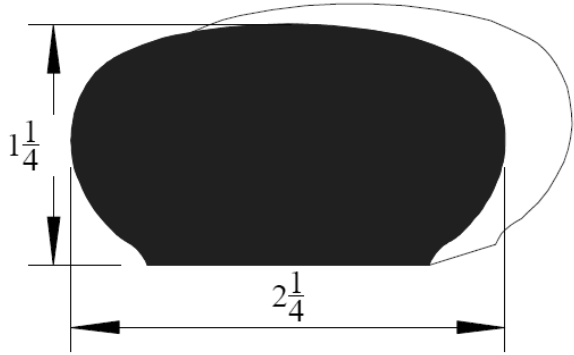
Rail-05



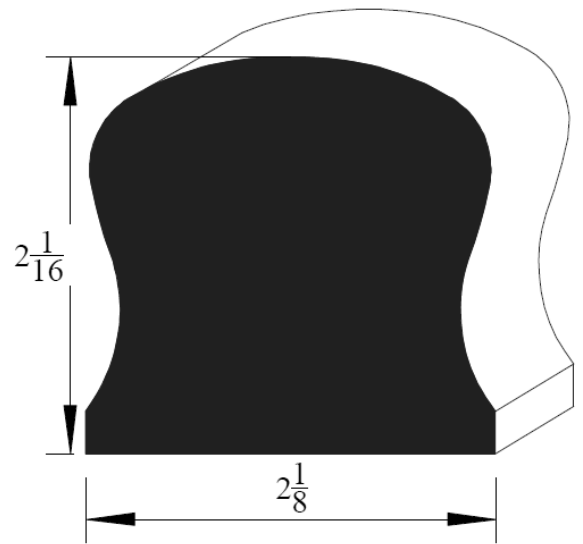
Rail-06



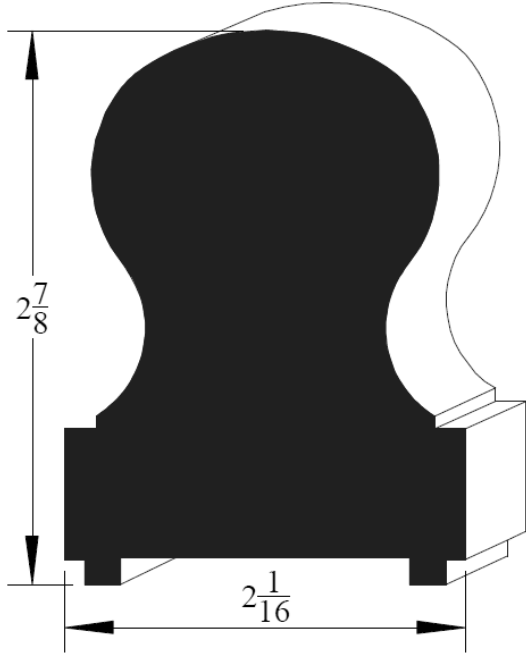
Rail-07



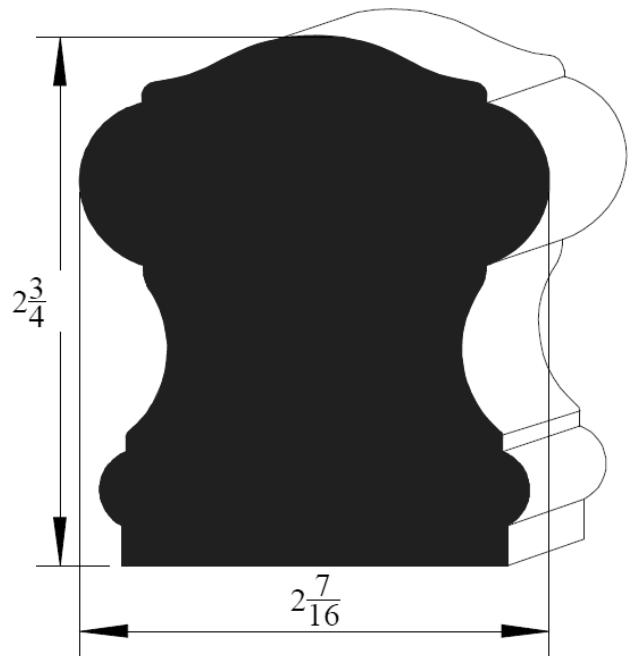
Rail-08



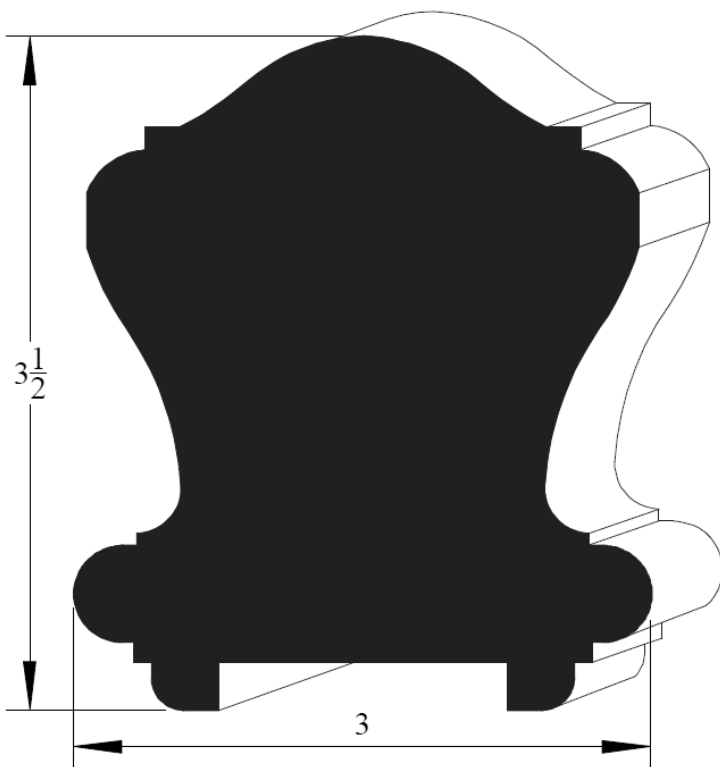
Rail-09



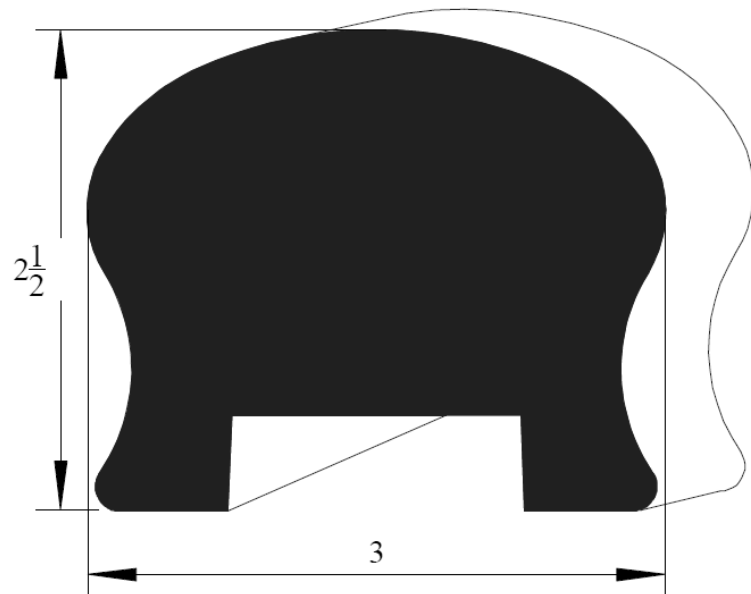
Rail-10



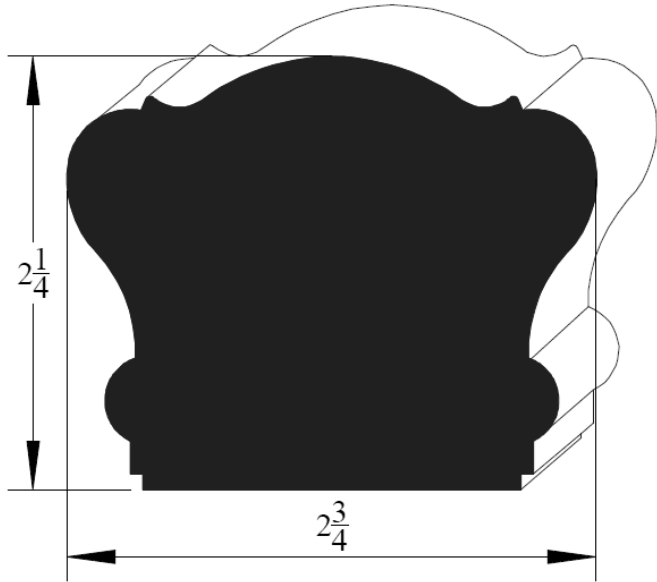
Rail-11



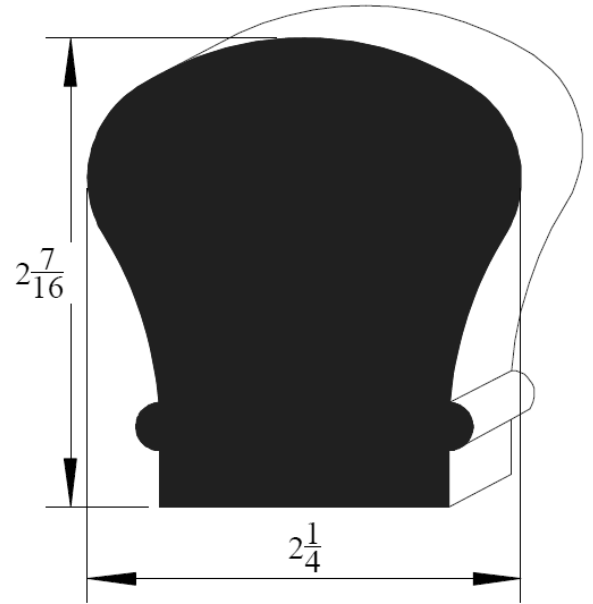
Rail-12



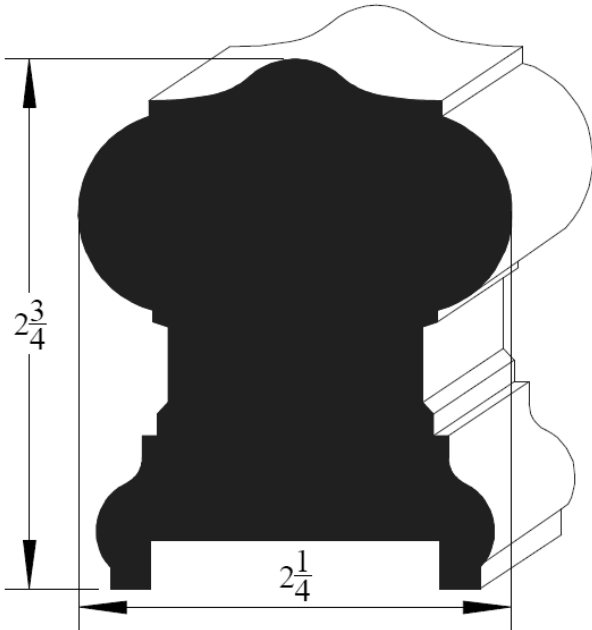
Rail-13



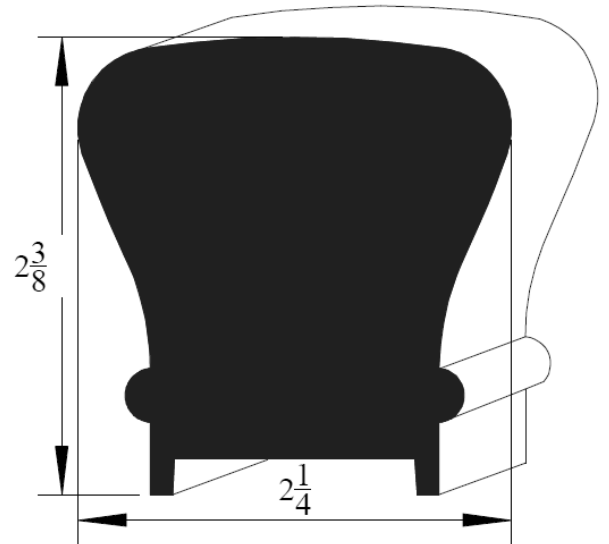
Rail-14



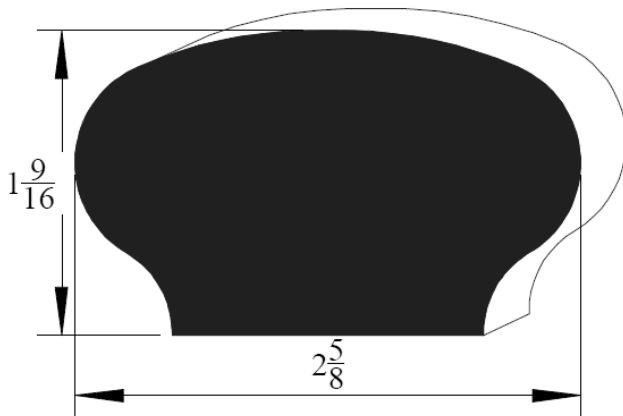
Rail-15



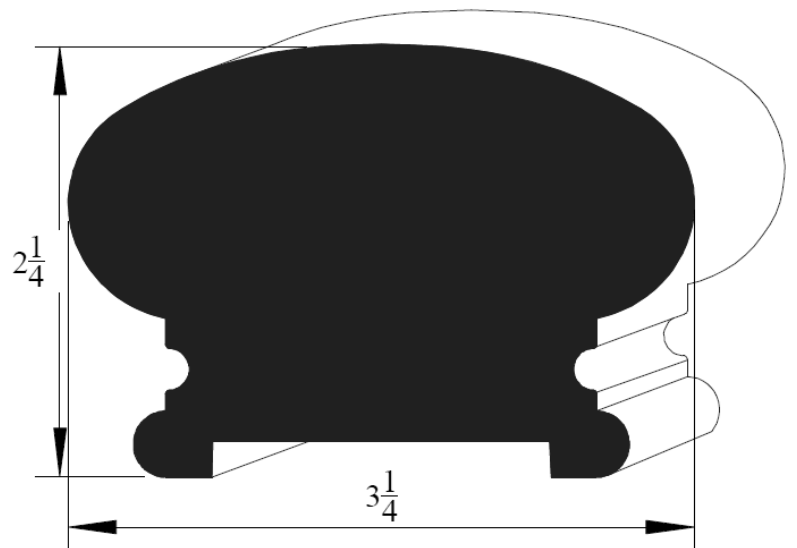
Rail-16



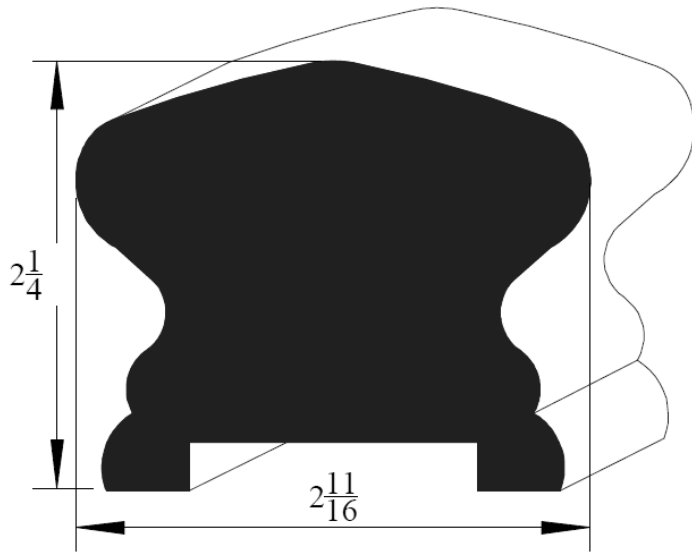
Rail-17



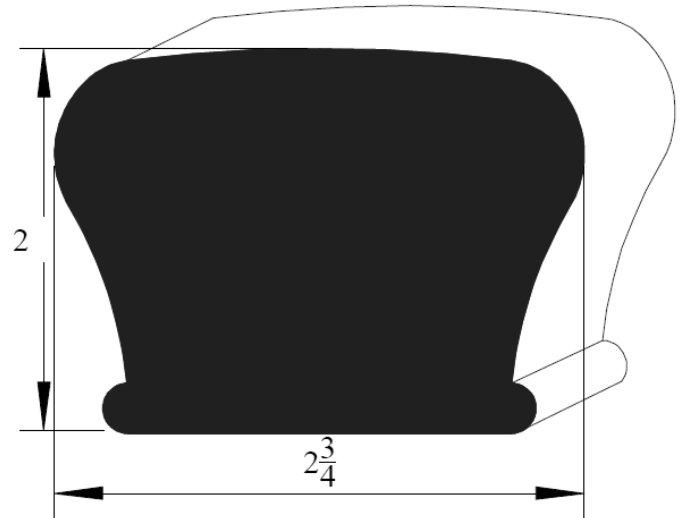
Rail-18



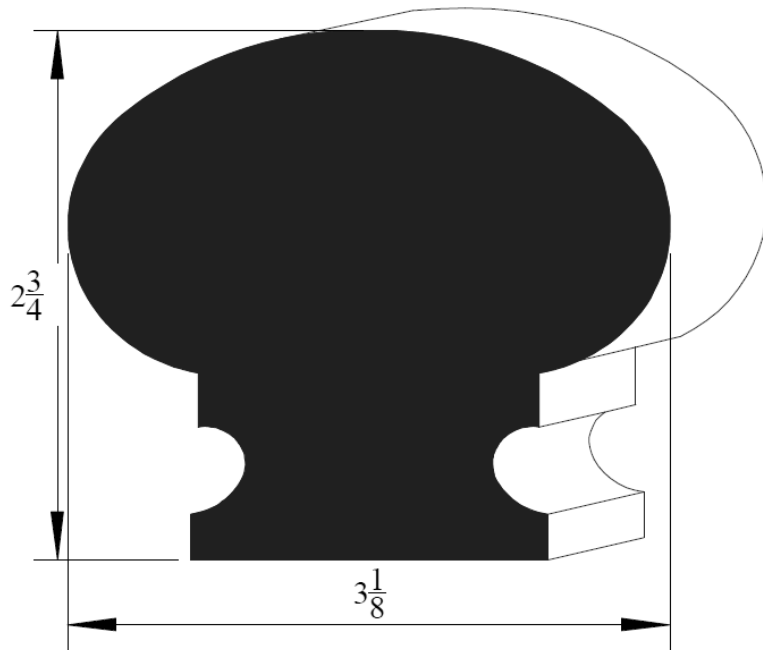
Rail 19



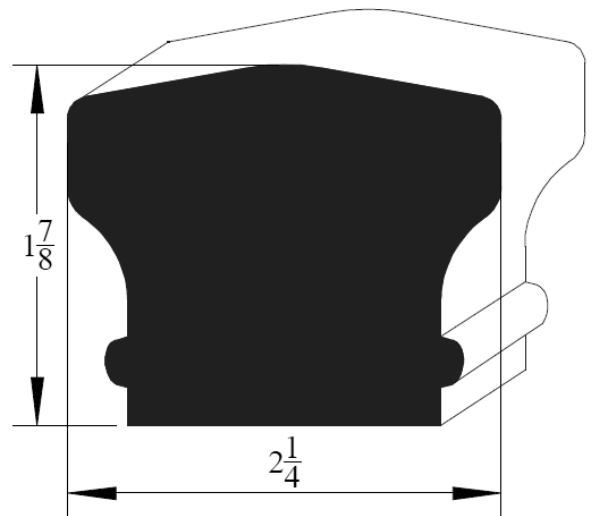
Rail-20



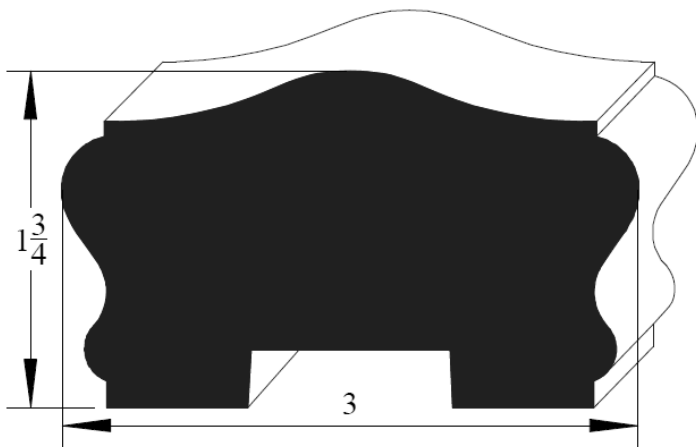
Rail-21



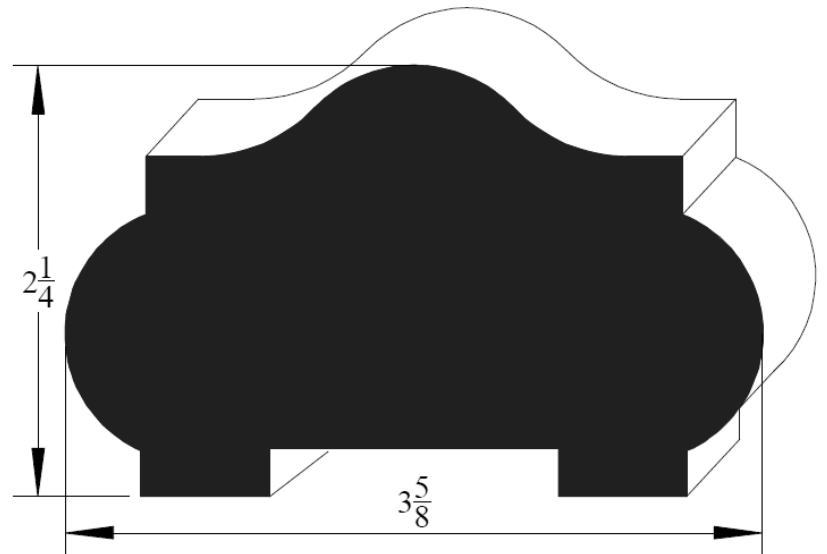
Rail-22



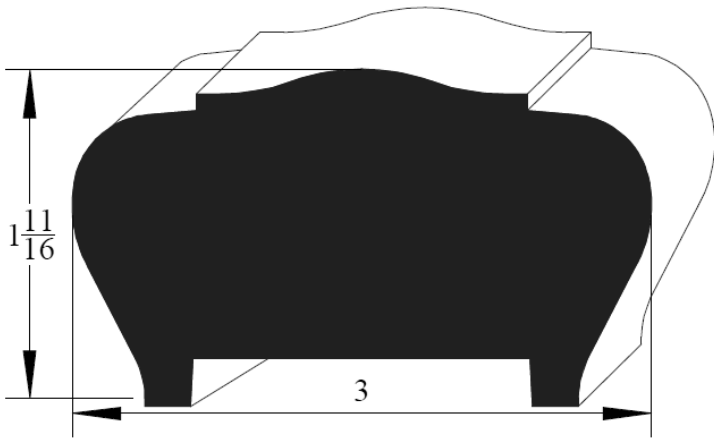
Rail-24



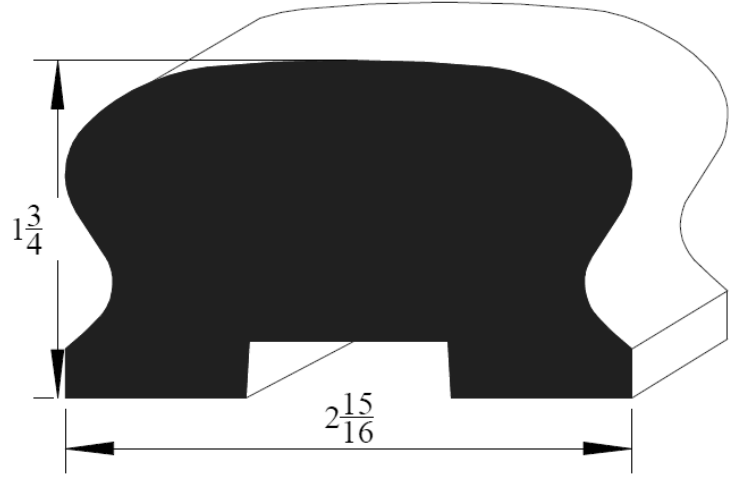
Rail-23



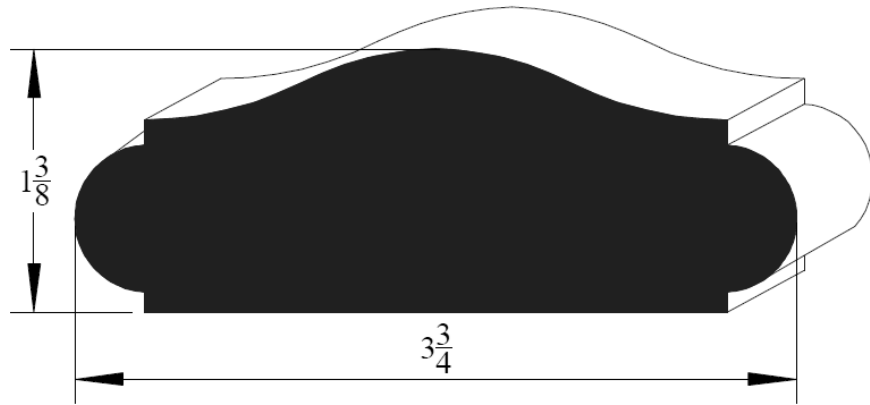
Rail-25



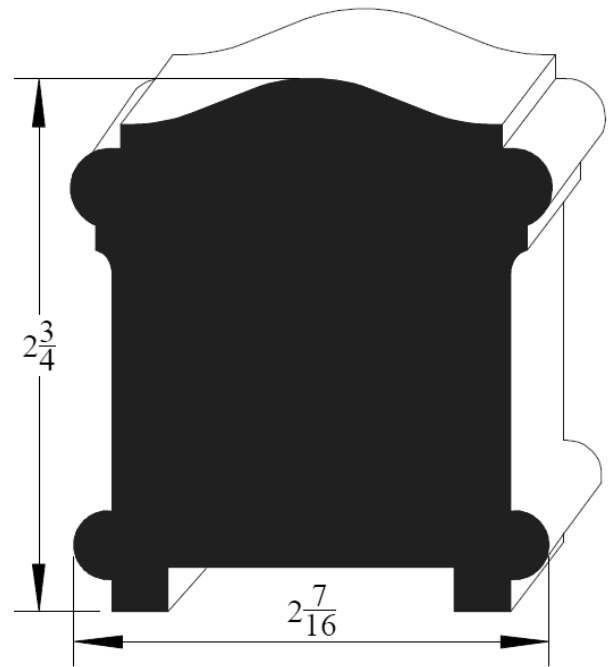
Rail-26



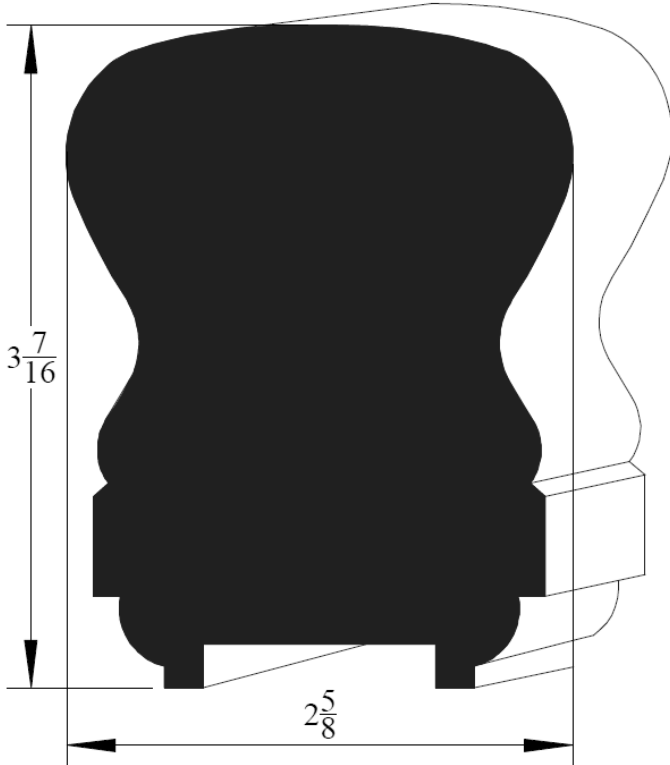
Rail-27



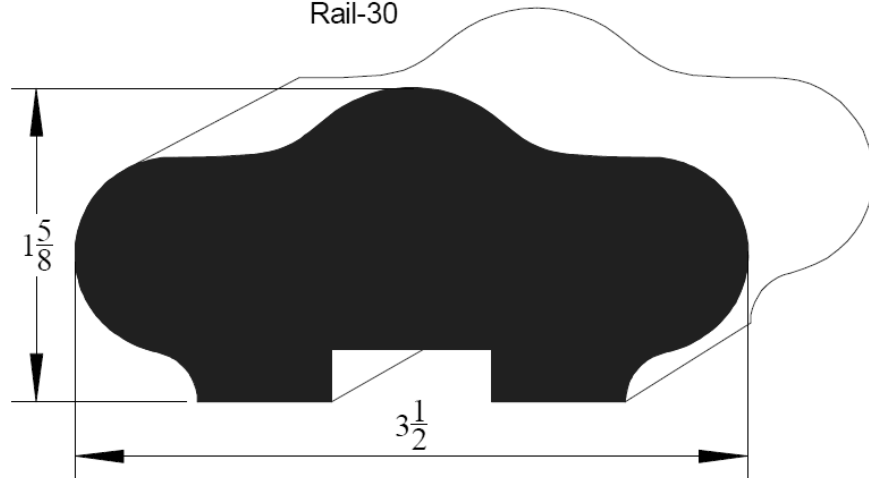
Rail-28



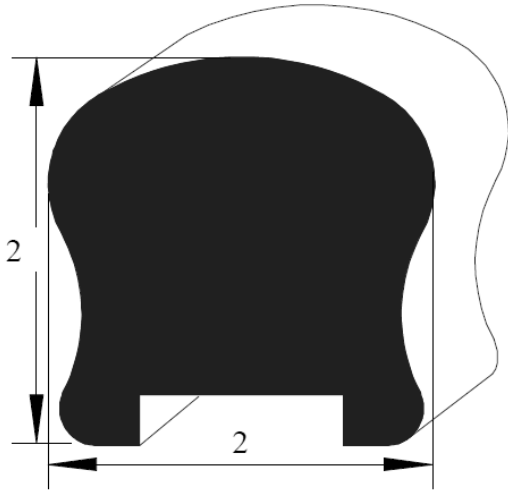
Rail-29



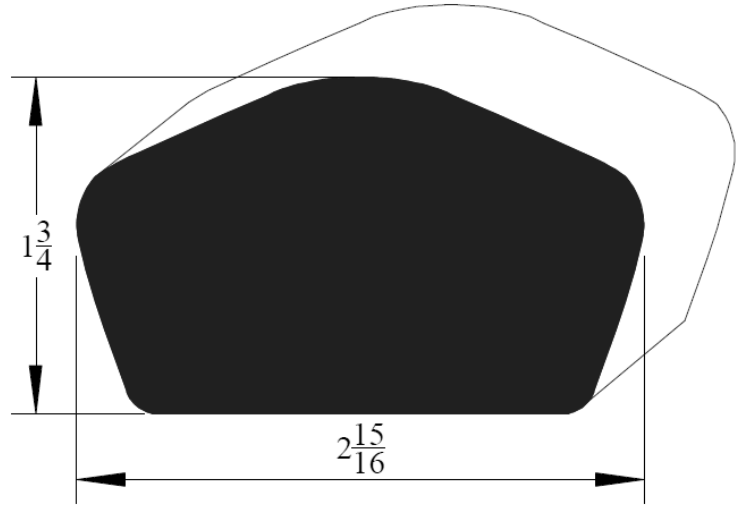
Rail-30



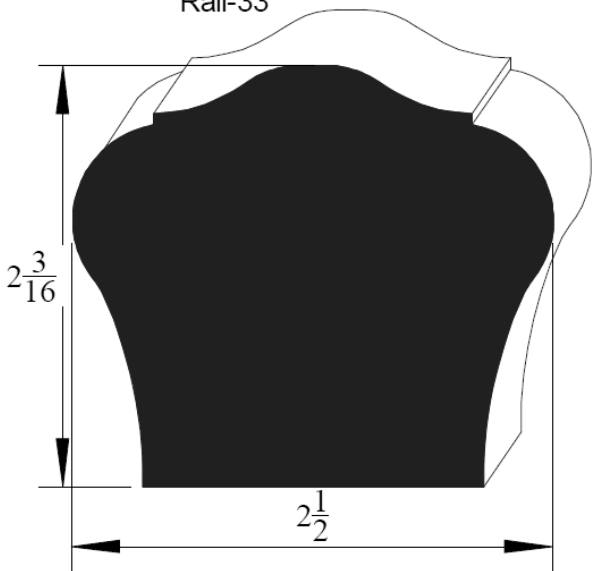
Rail-31



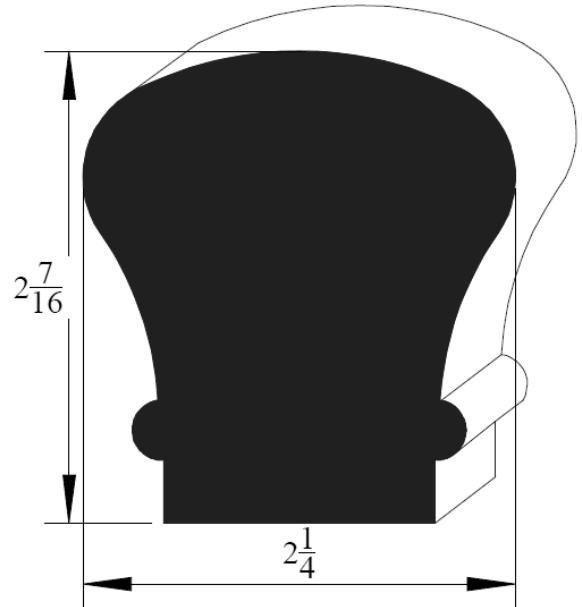
Rail-32



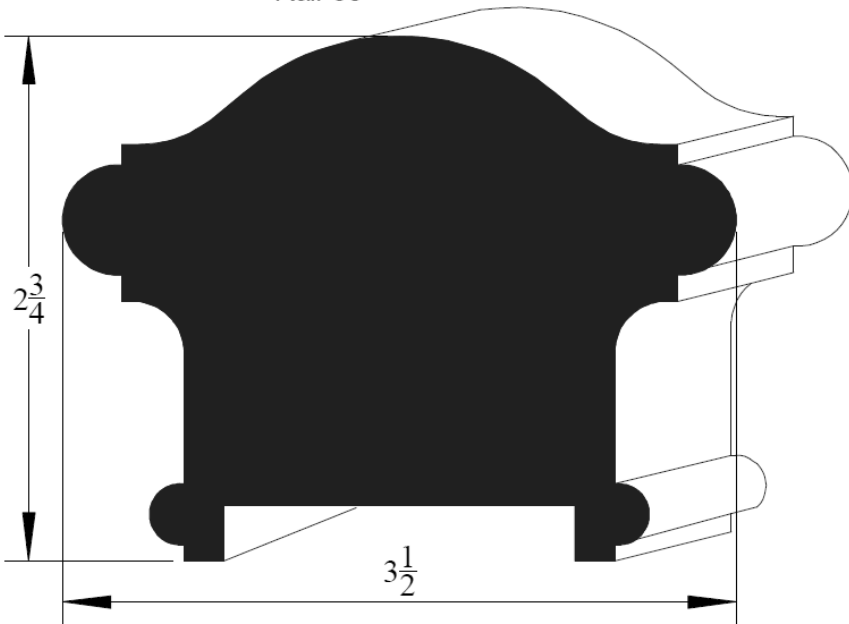
Rail-33



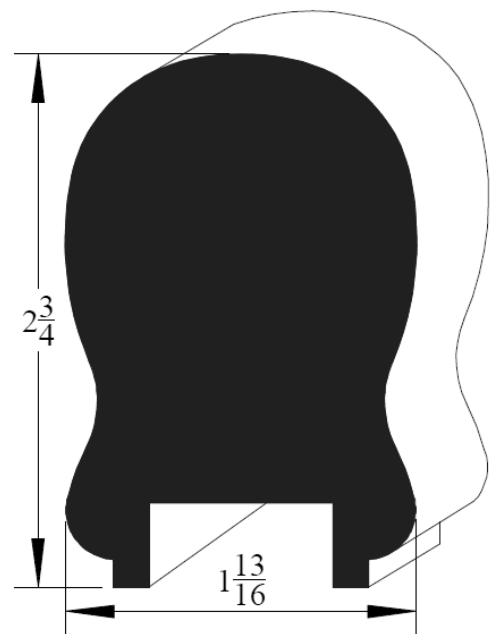
Rail-34



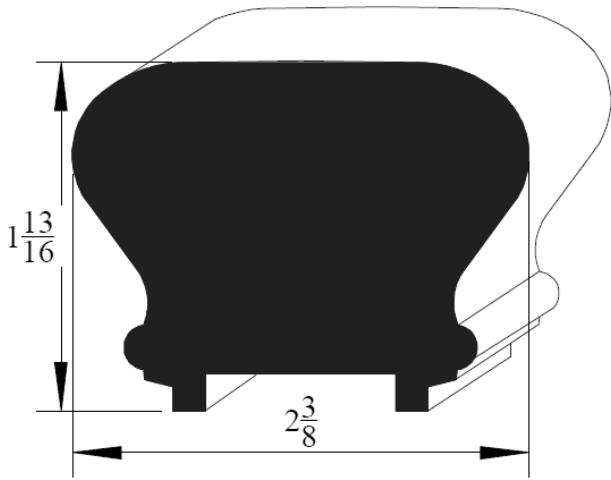
Rail-35



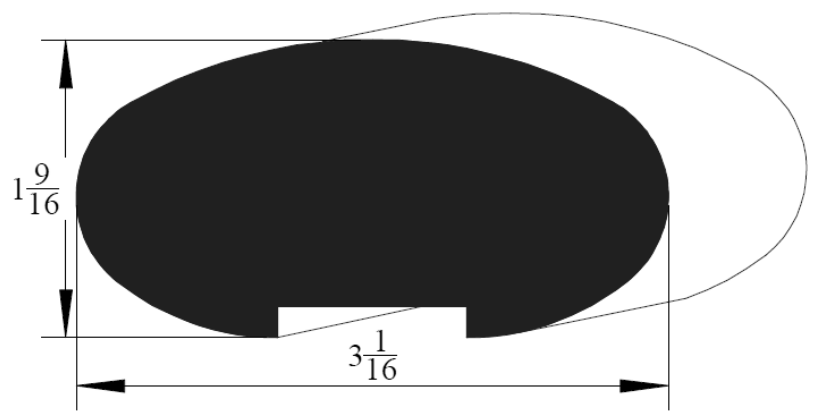
Rail-36



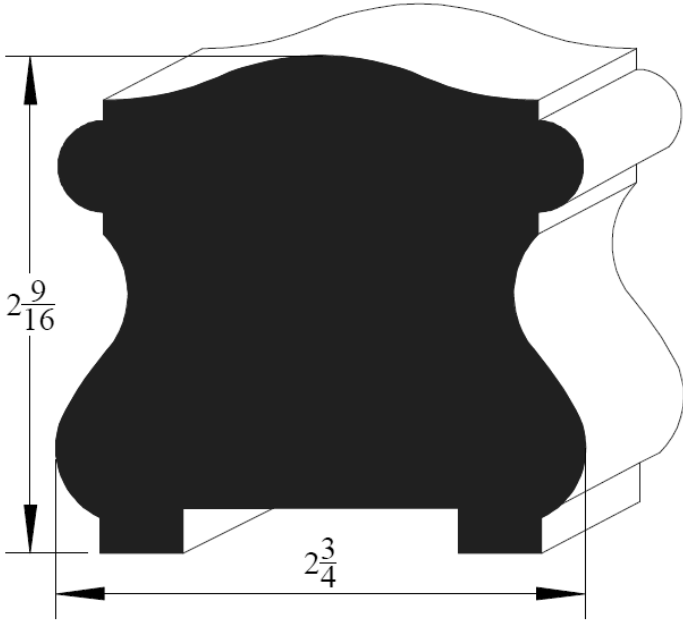
Rail-37



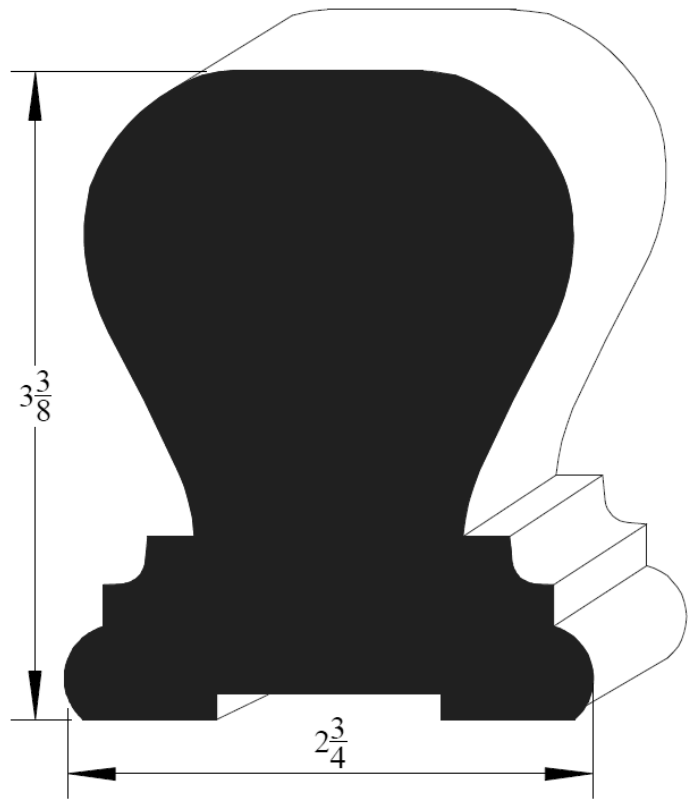
Rail-38



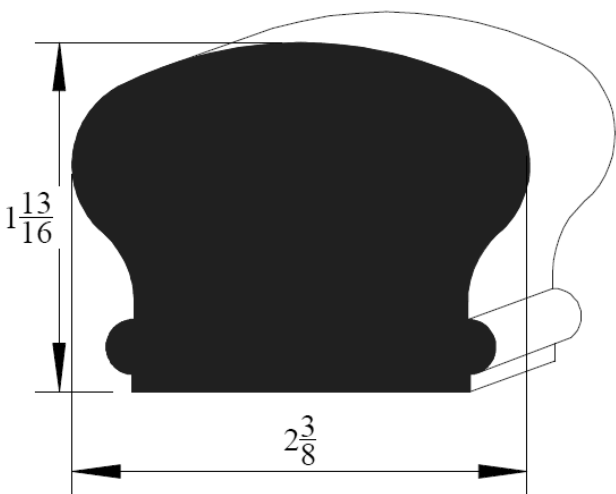
Rail-39



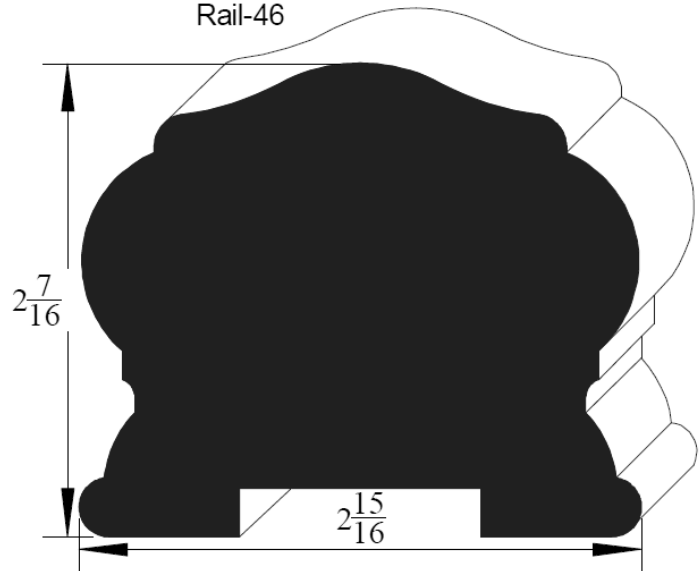
Rail-40



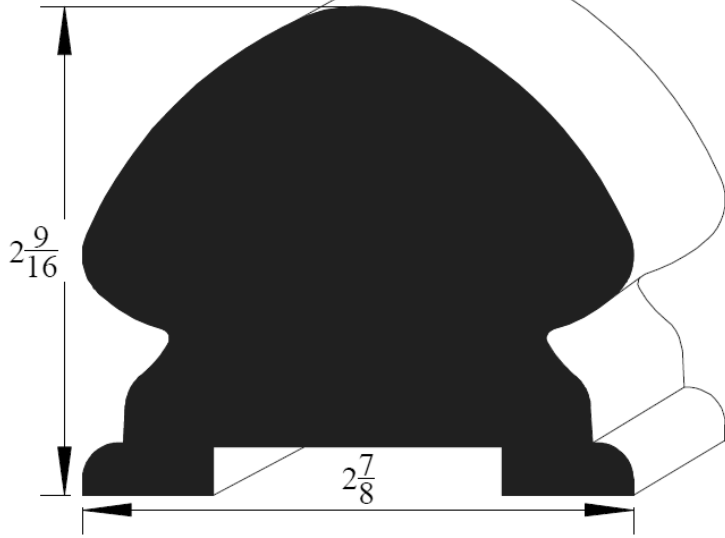
Rail-45



Rail-46



Rail-47



Rail-48

